

# DLSE SERIES Residential Lighting

DLSE6-MCT5-BN

**MCT** Multi Color Temperature (Selectable)



Selection:



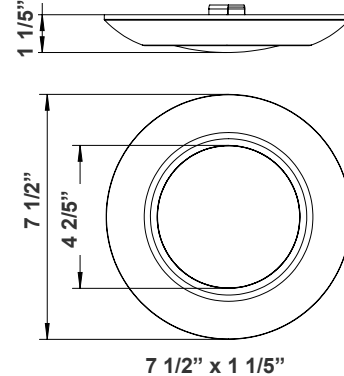
Disk lights have been designed to be a flexible lighting solution for retrofit and new construction applications, Ideal for closets, storage areas, attics, corridors, or general lighting solutions for residential and commercial applications.

Customer Name: \_\_\_\_\_

Project Name: \_\_\_\_\_

Note: \_\_\_\_\_

Type: \_\_\_\_\_



## Features

- Spun Steel, Powder-Coated
- Unique DOB (Driver On Board) LED Board Enclosed in Clear PC Cover for Better Damp Location Performance
- MCT: The Switch is On The LED Board Under The Lens
- White Translucent Acrylic Lens
- JA8-E-2016 & Title 24 Compliant (approved approved by the state of California and registered with the California Energy Commissions (CEC))

## Technical Specifications

### Electrical:

- Voltage: 120V AC
- Power Factor: >0.90
- Wattage: 15W
- Efficacy: 67 LPW

### Mechanical:

- Brushed Nickel Finish
- Spun Steel, Powder-Coated
- Suitable for use in Clothes Closet Spaces to comply with NEC Regulations 410.16(a)(3) and 410.16(c)(5)
- Fits on 4" Octagonal (4O) or 3" Octagonal (3O) Electrical Boxes
- Maximum Ambient Temperature: 104°F
- Suitable for Damp Location
- 5-Year Warranty

### Lighting:

- Lens: White Translucent Acrylic
- MCT: The Switch is On The LED Board Under The Lens
- LED: Unique DOB (Driver On Board) LED Board Enclosed in Clear PC Cover for Better Damp Location Performance
- Dimming: TRIAC Dimming (Using Standard TRIAC LED Dimmers)
- Total Lumens: 1000LM
- Color Temperatures: 2700/3000/3500/4000/5000K
- Color Rendering Index: CRI ≥ 90
- Rated Life: 50,000 Hrs

### Applications:

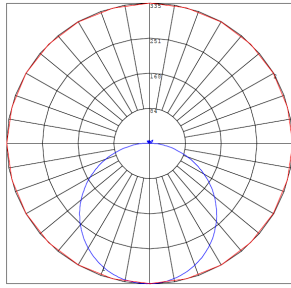
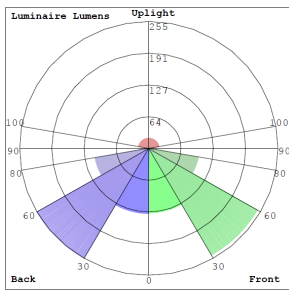
- Disk lights have been designed to be a flexible lighting solution for retrofit and new construction applications, Ideal for closets, storage areas, attics, corridors, or general lighting solutions for residential and commercial applications

### Other Models:

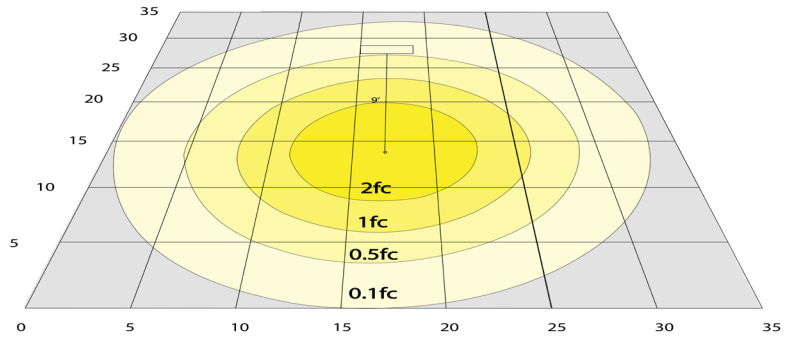
- 15W | 1000LM | DLSE6-MCT5
- 15W | 1000LM | DLSE6-MCT5-BR



## Photometrics: DLSE6-MCT5-BN



BUG Rating: B1-U2-G1



15W 5000K, Area 35'x 35' Mounting Height: 9'

## Other Views:



Side View



Front View



Back View

## Performance Table: DLSE6-MCT5-BN

MODEL NO.	Wattage	Voltage	Lumens	Color Temp.	BUG Rating	LPW
DLSE6-MCT5-BN	15W	120V	1000LM	2700K 3000K 3500K 4000K 5000K	B1-U2-G1	67

## Sample Ordering

Color Temp. Housing

MCT5 - BN

## Factory-Installed Options:

Blank = No Option For Accessories  
OPT-EM-DLS6 = EMERGENCY OPTION - MOUNT IN EXTENDED BASE

## FACTORY-INSTALLED OPTION:



OPT-EM-DLS6

